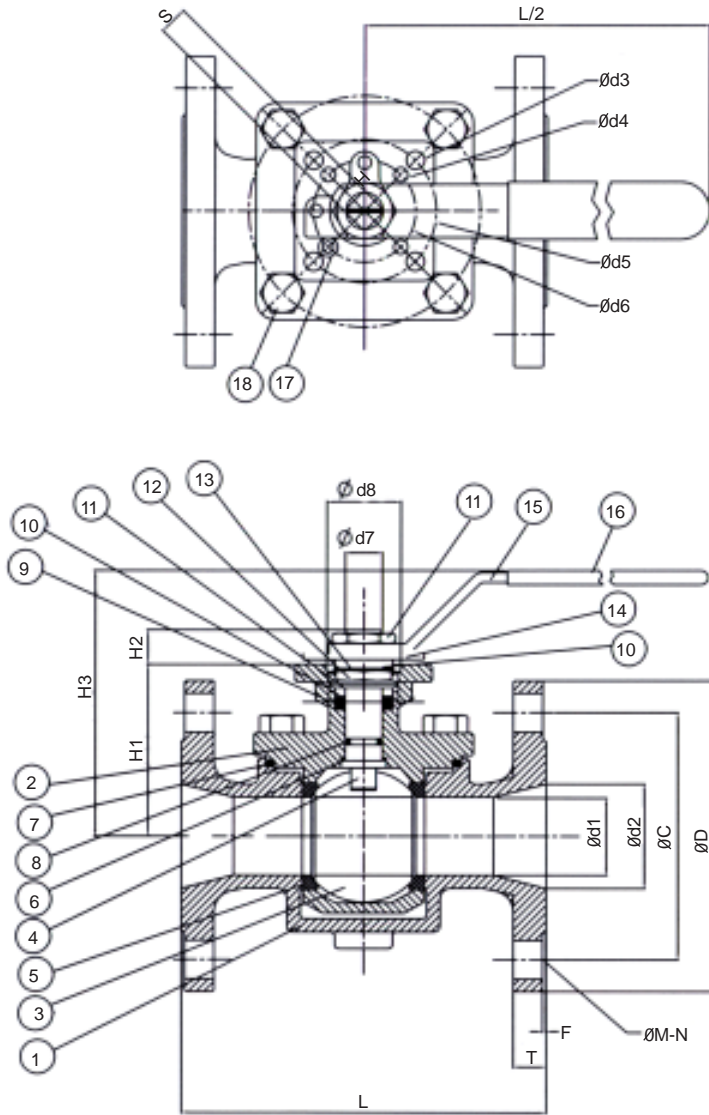




# Engineering

## Dimensions & Material List



No.	Parts Name	Materials Option	
1	Body Flange	ASTM A351-CF8	ASTM A216 -WCB
2	Bonnet	ASTM A351-CF8	ASTM A216 -WCB
3	Ball	ASTM A351-CF8	ASTM A216 -WCB
4	Stem	SS 316	
5	Ball Seats	PTFE/TFM	PTFE+25%Carbon
6	Thrust Washer	RPTFE	
7	Gasket	PTFE	Grafoil
8	O-Ring	Viton	
9	Stem Packing	PTFE	
10	Space Washer	SS 304	
11	Disc Washser	SS 301	
12	Stem Nut	SS 304	
13	Nut Stop	SS 304	
14	Stopper Plate	SS 304	
15	Handle	SS 304	
16	Handle Cover	Plastic	
17	Stop Pin	SS 304	
18	Bonnet Bolts	Grade B8	Grade B7
19	Lever Head	ASTM A351-CF8	
20	Set Bolt	SS 304	
21	Lever	Steel Pipe	

Size	d1	d2	d3	d4	d5	d6	d7	d8	H1	H2	H3	L1	L2	S	Flange Dimensions (Class 150)					
															D	Bolt Hole				
																C	M	N	T	F
3.4"	0.77	0.77	0.28	0.24	1.97	1.65	M14	1.18	2.56	0.55	3.78	4.61	6.50	0.43	3.86	2.76	0.63	0.16	0.45	0.06
1"	0.77	1.00	0.28	0.24	1.97	1.65	M14	1.18	2.56	0.55	3.78	5.00	6.50	0.43	4.25	3.13	0.63	0.16	0.45	0.06
1-1/2"	1.26	1.5	0.36	0.28	2.76	1.97	M18	1.38	2.97	0.71	4.37	6.50	8.07	0.55	5.00	3.88	0.63	0.16	0.56	0.06
2"	1.50	2.00	0.36	0.28	2.76	1.97	M18	1.38	3.17	0.71	4.37	7.01	8.07	0.55	5.98	4.74	0.75	0.16	0.63	0.06
0.3"	2.25	3.07	0.45	0.36	4.02	2.76	M22	2.17	4.17	0.91	6.02	7.99	13.39	0.67	7.48	6.00	0.75*	0.16	0.75	0.06
4"	2.99	4.00	0.45	0.36	4.02	2.76	M22	2.17	5.12	0.91	6.02	9.02	13.39	0.67	9.02	7.50	0.75*	0.31	0.94	0.06