

## TWO-PIECE SCREWED BODY VALVE

For Commercial And General Industrial Applications

Full Port 1/4" – 4"

Standard Port 2 1/2" – 3"

Threaded Ends

250 – 600 PSI CWP

150 PSI WSP

### SPECIFICATIONS

**Pressure Rating:** 250-600 psi CWP (non-shock)

**Steam Rating:** 150 WSP

**Temperature Range:** -20° to 370° F

**End Type:** Threaded

**Handle:** Lever with Vinyl Grip Standard

**Options:** T-Handle, Lockout Handle

### MATERIALS

**Body:** Brass, Forged

**Stem:** Brass, Nickel Plated

**Thrust Washer:** 25% Carbon Reinforced PTFE

**Stem Seal:** PTFE

**Packing Nut:** Brass, Nickel Plated

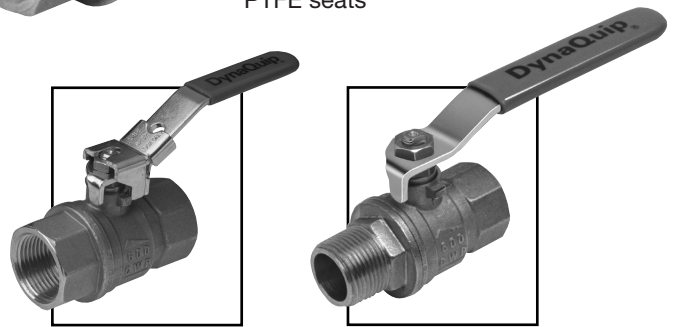
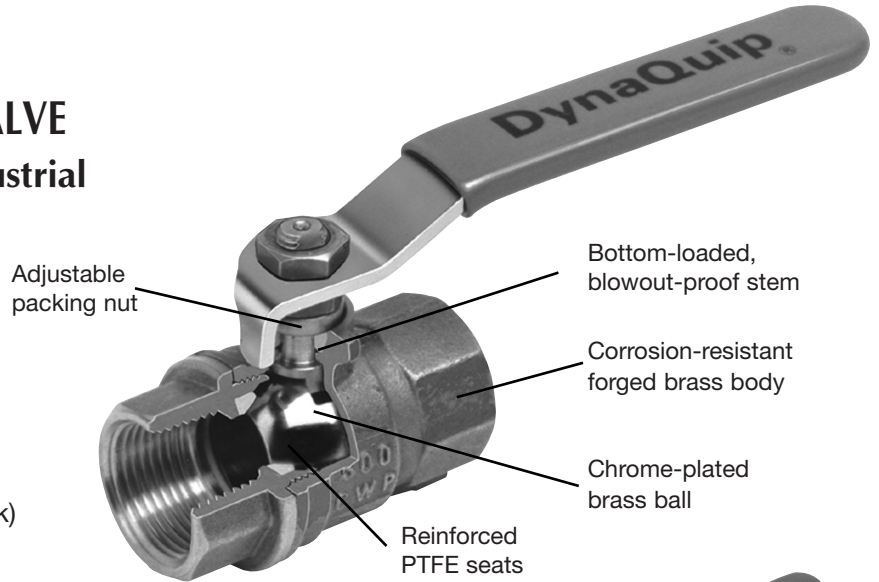
**Handle:** Steel, Dacromet Finish, Vinyl Grip

**Handle Nut:** Steel, Dacromet Finish

**Ball Seats:** 15% Glass Reinforced PTFE

**Ball:** Brass, Chrome Plated

**End Cap:** Brass, Forged



Lockout handle

Male x Female

### APPROVALS FOR VALVE THROUGH 2"

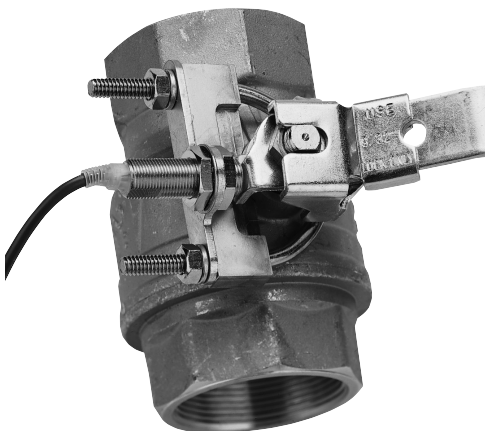
UL® for LP gas

AGA® and CGA® for natural gas

Factory Mutual for fire protection systems

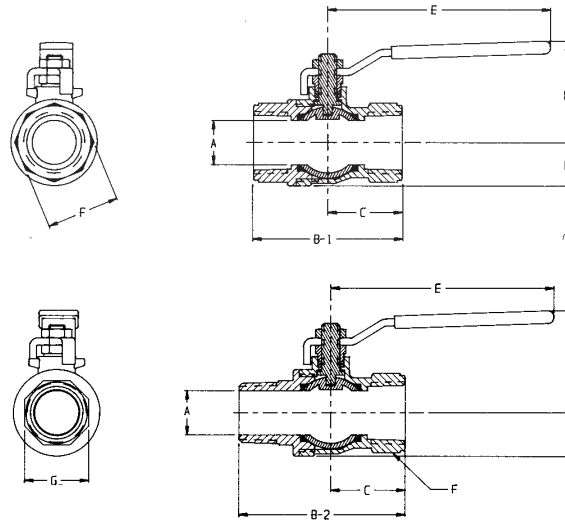
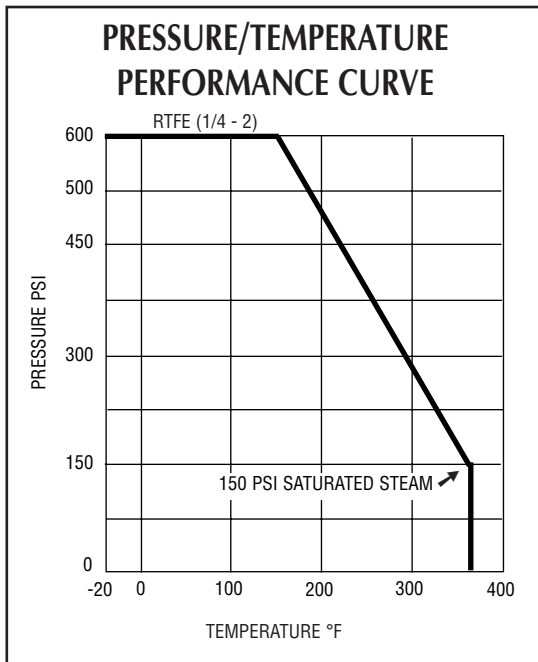
## LIMIT SWITCH KITS FOR VMH2 SERIES VALVE

Limit switch kits for the full port VMH2 Series are available to indicate valve position or to operate an electrical device based on valve position. Limit switch kit includes a two-wire inductive proximity switch which uses the standard lever or an optional lockout handle for a target. Switch position is adjustable anywhere in the 90° stroke. Kits are available in both normally open or normally closed and easily mounted in the field.



<u>VMH2 Valve Size</u>	<u>Position</u>	<u>Part No.</u>
3/4" - 1"	Normally Open	151302.01
1 1/4" - 4"	Normally Open	151303.01
3/4" - 1"	Normally Closed	151305.01
1 1/4" - 4"	Normally Closed	151306.01

Kit includes (1) proximity limit switch plus bracket. For (2) limit switches on (1) valve consult factory.



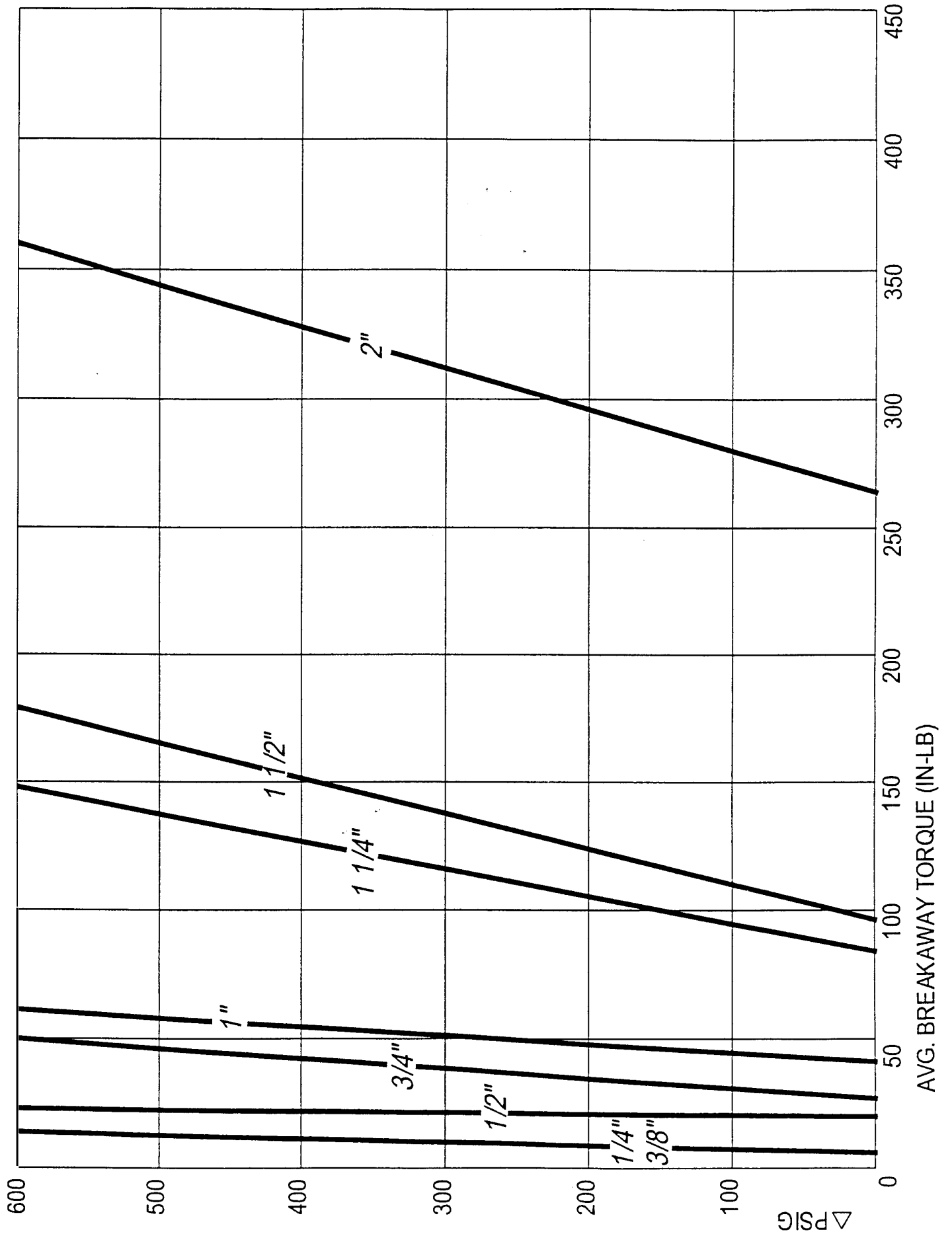
CATALOG NO.

DIMENSIONS

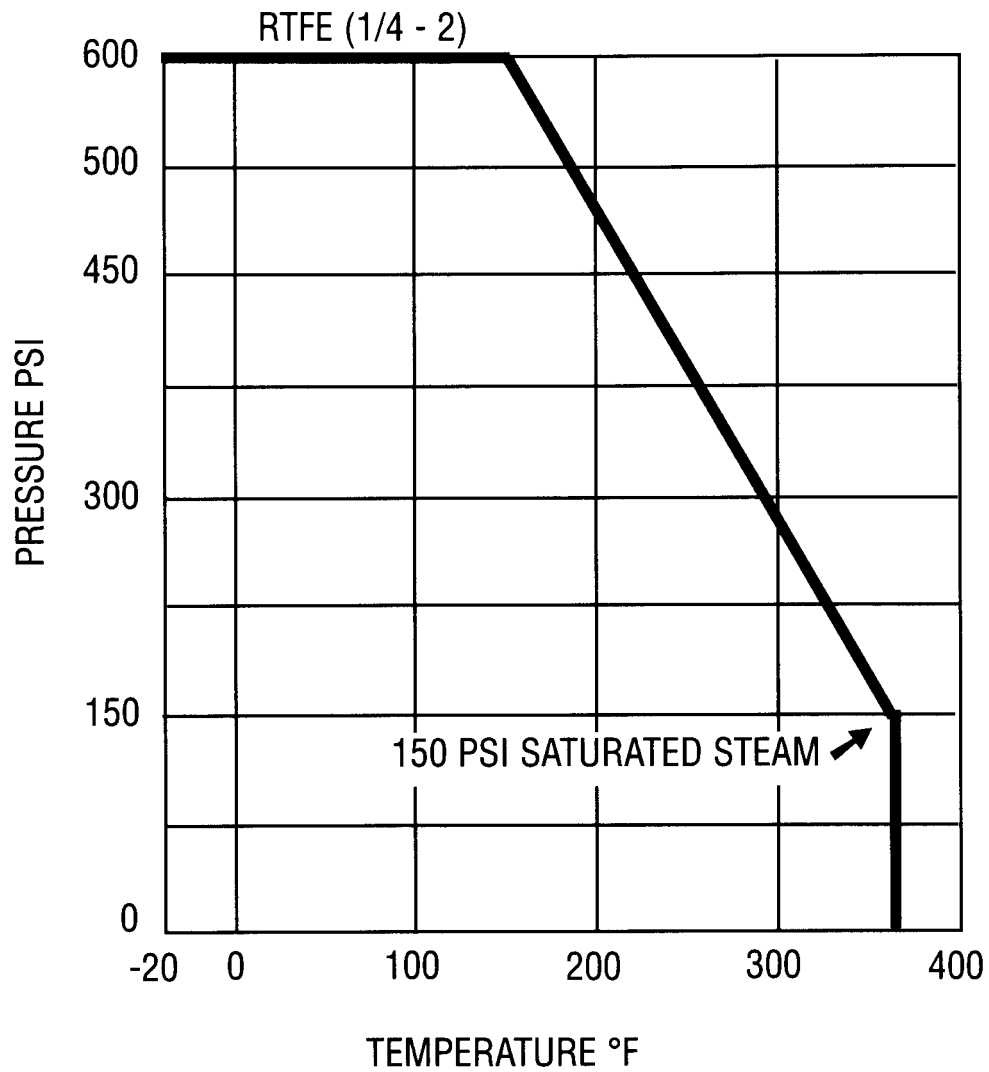
	PSI Rating	A	B1	B2	C	D	E	F	G	H	CV	WT LBS
FPT x FPT												
VMH2.A9 1/4	600	.32	1.77	—	.89	1.56	3.23	.79 HEX	—	.50	6	.31
VMH2.A9 3/8	600	.38	1.77	—	.89	1.56	3.23	.79 HEX	—	.50	11.4	.29
VMH2.A9 1/2	600	.59	2.32	—	1.16	1.73	3.94	.98 OCT	—	.64	19	.47
VMH2.A9 3/4	600	.75	2.52	—	1.26	1.97	4.72	1.22 OCT	—	.77	34	.74
VMH2.A9 1	600	.95	3.19	—	1.59	2.13	4.72	1.58 OCT	—	.94	52	1.19
VMH2.A9 1 1/4	600	1.18	3.66	—	1.83	3.01	6.22	1.93 OCT	—	1.16	77	1.92
VMH2.A9 1 1/2	600	1.50	4.02	—	2.01	3.25	6.22	2.13 OCT	—	1.40	143	2.40
VMH2.A9 2	600	1.89	4.76	—	2.38	3.52	6.22	2.68 OCT	—	1.70	205	3.94
VMH1.A9 2 1/2	600	1.85	5.35	—	2.68	3.42	7.25	3.38 OCT	—	1.81	260	6.25
VMH2.A9 2 1/2	500	2.44	5.94	—	2.97	4.01	8.50	3.38 OCT	—	2.05	4.75	8.82
VMH1.A9 3	600	2.44	6.14	—	3.07	3.98	8.50	3.94 OCT	—	2.10	410	9.65
VMH2.A9 3	500	2.99	6.85	—	3.43	4.49	9.50	3.94 OCT	—	2.49	780	12.13
VMH2.A9 4	250	3.86	8.74	—	4.37	6.02	9.50	4.96 OCT	—	3.28	1350	23.50
FPT x MPT												
VMH2.P9 1/4	600	.32	—	2.22	.89	1.56	3.23	.79 HEX	.71 HEX	.50	6	.38
VMH2.P9 3/8	600	.38	—	2.22	.89	1.56	3.23	.79 HEX	.71 HEX	.50	11.4	.33
VMH2.P9 1/2	600	.59	—	2.76	1.16	1.73	3.94	.98 HEX	.87 HEX	.64	19	.50
VMH2.P9 3/4	600	.75	—	2.99	1.26	1.97	4.72	1.22 HEX	1.06 HEX	.77	34	.78
VMH2.P9 1	600	.95	—	3.64	1.59	2.13	4.72	1.58 OCT	1.38 OCT	.94	52	1.16




**Options:** Add suffix OE for tee handle

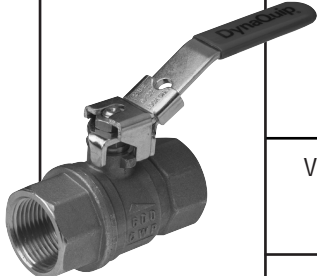
Add suffix OP for lockout handle (Lockout not available on 2 1/2" – 3" standard sizes port only).



# PRESSURE/TEMPERATURE PERFORMANCE CURVE



OPTION SUFFIX	HANDLES & DESCRIPTION	VALVE SERIES	SIZES	RETROFIT/REPLACEMENT KITS*
OE	 Tee Handle Bright red handle easy to identify for safety. Fits in tight spaces.	VMH2	1/4" - 1/2" 3/4", 1"	151171.01 151172.01
OE	 Gull Wing Handle Compact handles for space and safety.	VME1	1/4", 3/8" 3/4", 1"	143095 143096
		VME3	1/2", 3/4" 1", 1-1/4"	143095 143096
OQ	 Oval Handle For safety purposes and ease of use. Work well for reducing space.	VMB	1/4" - 1/2" 3/4", 1" 1-1/4" - 2"	144064.025 144064.075 143122.150
		VME1	1/4" - 1/2" 3/4", 1" 1-1/4", 1-1/2" 2"	143122.050 143122.100 143122.150 143122.200
		VME3	1/2", 3/4" 1", 1-1/4" 1-1/2", 2"	143122.050 143122.100 143122.150
		VBE, VBS **	1/4", 1/2" 3/4", 1" 1-1/4", 2"	182278.01 182278.02 182278.03

OPTION SUFFIX	HANDLES & DESCRIPTION	VALVE SERIES	SIZES	RETROFIT/REPLACEMENT KITS*		
OP	 Lockout Handle For padlocking valves in open and closed position. Meets OSHA regulations on lockout.	VAE	1/4" 3/8" 1/2" 3/4", 1" 1-1/4" - 2"	120035.1 120036.1 120037.1 120038.1 120039.1		
		VBA	1/4" - 1/2" 3/4", 1" 1-1/4" - 2"	185432 185432 185434		
		VBE & VBS	1/4" - 1/2" 3/4", 1" 1-1/4" - 2"	182264.01 182265.01 182266.01		
		VLE	1/4" - 3/8" 1/2" 3/4" 1"	143144.01 143363.01 143366.01 143369.01		
				VMA	1/4" - 1/2" 3/4" - 1" 1-1/4" - 1-1/2" 2"	140245.01 140246.01 140247.01 140248.01
						VMB
		VME1	1/4" - 1/2" 3/4", 1" 1-1/4", 1-1/2" 2" ***	143147.01 143148.01 144269.01 143296		
				VME3	1/2", 3/4" 1", 1-1/4" 1-1/2", 2"	143147.01 143148.01 144269.01
		VMH2	1/4" - 1/2" 3/4", 1" 1-1/4" - 2"			151164.01 151165.01 151166.01

Note: Use option suffix when ordering valves with option installed. Order retrofit kits for field installation.

\*\*Locking type.

\*\*\*2 piece handle & bracket design.